



INSTALLATION INSTRUCTIONS

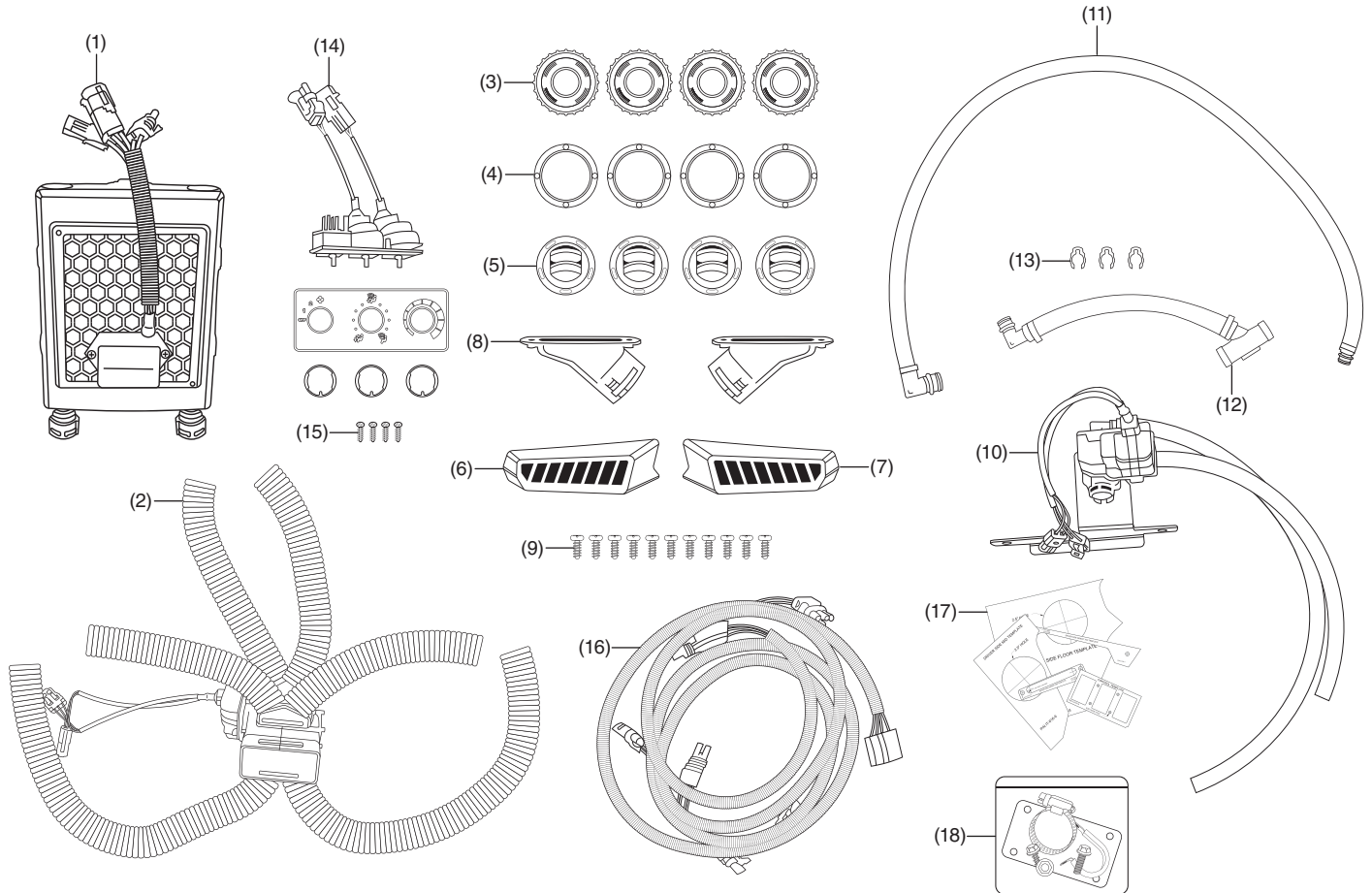
Accessory
HEATER
P/N 0SE02-HL3-A00

Application
SXS700M2/M4

Publication No.
MII 17775
Issue Date
August 2022

Honda Dealer: Please give a copy of these instructions to your customer.

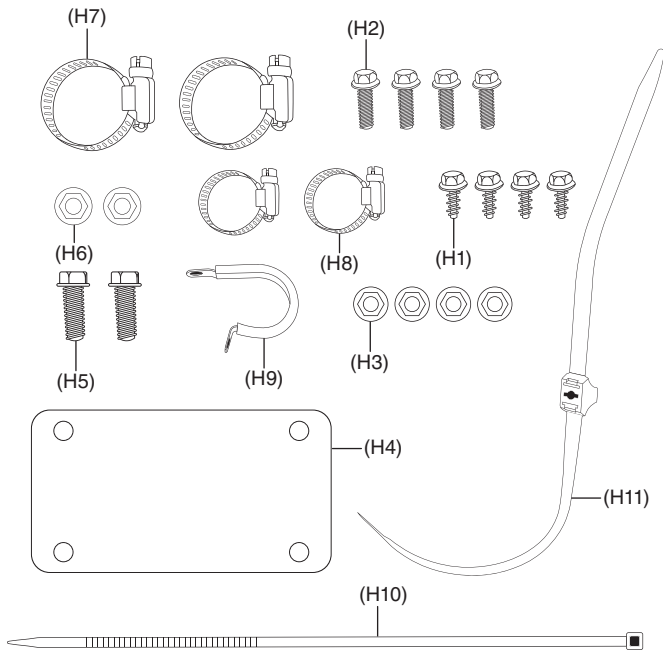
PARTS LIST



| No. | Description | Qty |
|------|---------------------------|-----|
| (1) | Heater assembly | 1 |
| (2) | Mode control assembly | 1 |
| (3) | Vent adapter housing | 4 |
| (4) | Vent adapter ring | 4 |
| (5) | Vent louver | 4 |
| (6) | Left demist vent | 1 |
| (7) | Right demist vent | 1 |
| (8) | Demist vent adapter | 2 |
| (9) | Demist mount screw | 11 |
| (10) | Temperature control valve | 1 |
| (11) | Heater inlet hose | 1 |
| (12) | Heater return hose | 1 |
| (13) | Retaining clip | 3 |
| (14) | Control panel assembly | 1 |
| (15) | Control panel screw | 4 |

| No. | Description | Qty |
|------|----------------|-----|
| (16) | Heater harness | 1 |
| (17) | Template kit | 1 |
| (18) | Hardware kit | 1 |

HARDWARE PARTS LIST



| No. | Description | Qty |
|-------|--------------------------|-----|
| (H1) | Mode control mount screw | 4 |
| (H2) | 6 × 20 mm bolt | 4 |
| (H3) | 6 mm lock nut | 4 |
| (H4) | Heater mount plate | 1 |
| (H5) | 8 × 20 mm bolt | 2 |
| (H6) | 8 mm nut | 2 |
| (H7) | 1 1/2-inch hose clamp | 2 |
| (H8) | 7/8-inch hose clamp | 2 |
| (H9) | 1-inch P-clamp | 1 |
| (H10) | Cable tie | 15 |
| (H11) | Double cable tie | 1 |

TOOLS AND SUPPLIES REQUIRED

Phillips screwdriver
 Standard screwdriver
 Power drill
 Socket (6 mm, 10 mm, 12 mm, 14 mm, 1/4 inch)
 Drill bit (1/4 inch, 5/32 inch, 3/8 inch, 5/8 inch)
 Hole saw (2 1/2 inch)
 Rotary tool
 Hose cutter
 Deburr tool
 Clean drain pan (for reuse of coolant)
 Pro Honda HP coolant

USE AND CARE INFORMATION

- Check the accessory mounts frequently and re-tighten if necessary.
- Replace this accessory with a new one if it is damaged.

TORQUE CHARTS

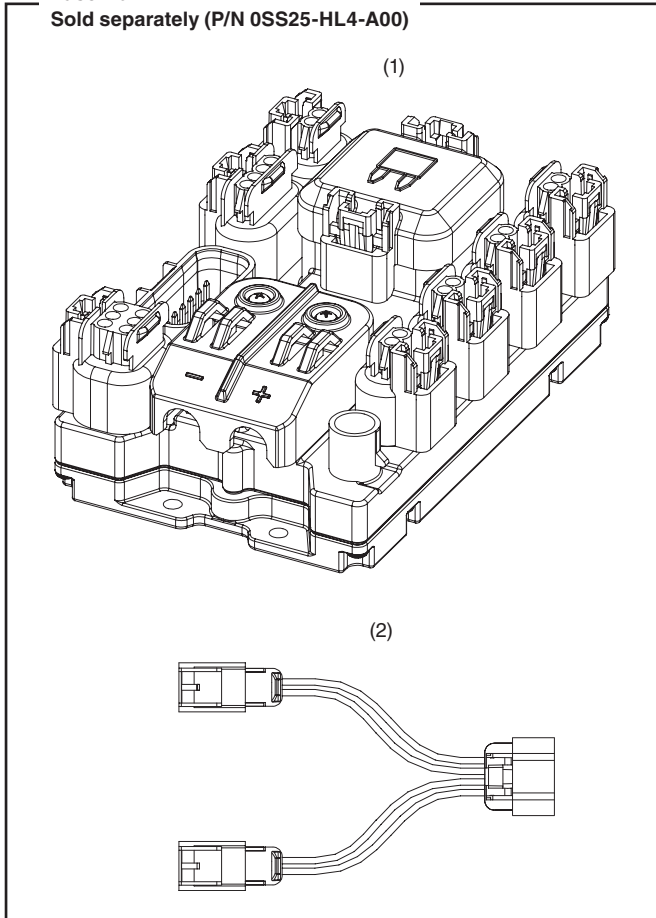
Tighten all screws, bolts, and nuts to their specified torque values.

| Item | N·m | kgf·m | lbf·ft |
|--------------------------|-----|-------|--------|
| 1 1/2-inch hose clamp | 4 | 0.4 | 3.0 |
| 7/8-inch hose clamp | 4 | 0.4 | 3.0 |
| 6 mm flange bolt and nut | 12 | 1.2 | 9 |
| 8 mm flange bolt and nut | 27 | 2.8 | 20 |

REQUIRED ACCESSORIES

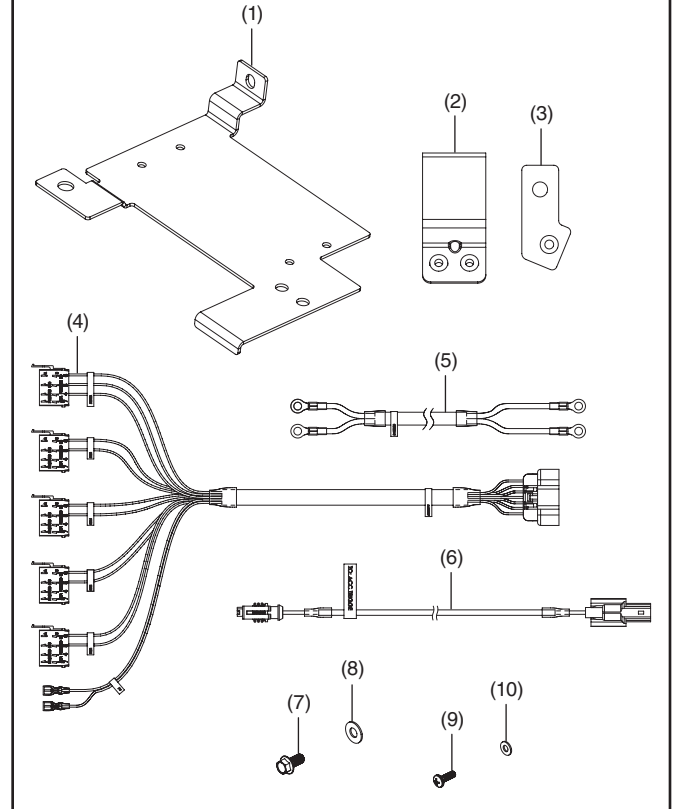
The Fuse Box, Fuse Box Wiring Kit, and Bus Bar Kit are required for the installation of this accessory.

Fuse Box
Sold separately (P/N 0SS25-HL4-A00)

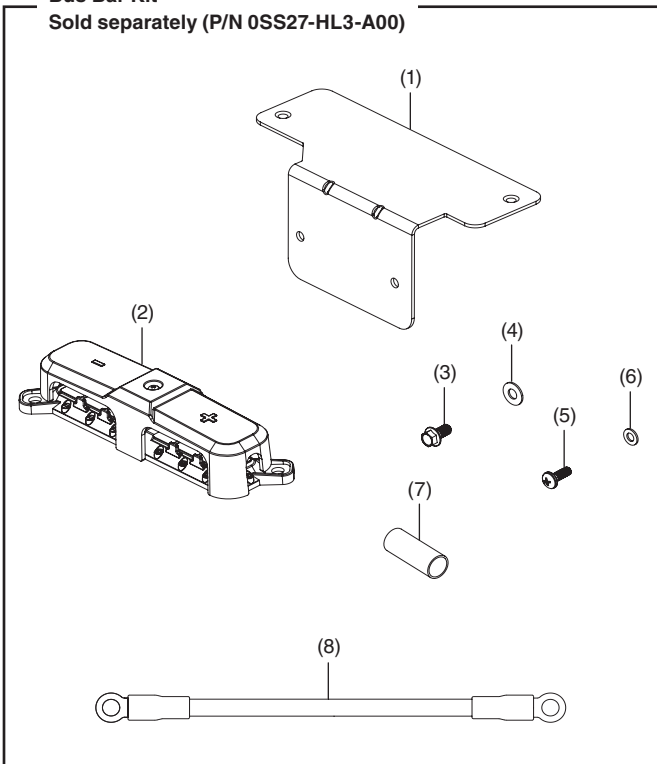


| No. | Description | Qty |
|-----|--------------------------------------|-----|
| (1) | Fuse box switcher | 1 |
| (2) | Harness, 4-pin to 2-pin (Y-splitter) | 1 |

Fuse Box Wiring Kit
Sold separately (P/N 0SS26-HL3-A00)



| No. | Description | Qty |
|------|-----------------------------------|-----|
| (1) | Fuse box mounting plate | 1 |
| (2) | Fuse plate, under bracket | 1 |
| (3) | Fuse plate, radiator tab bracket | 1 |
| (4) | Switch wiring harness | 1 |
| (5) | Input power cable | 1 |
| (6) | Accessory trigger cable | 1 |
| (7) | 6 x 12 mm flange bolt (8 mm head) | 3 |
| (8) | 6 x 14 mm flat washer | 3 |
| (9) | 4 x 0.7 phillips screw | 4 |
| (10) | 4 mm flat washer | 4 |

Bus Bar Kit**Sold separately (P/N 0SS27-HL3-A00)**

| No. | Description | Qty |
|-----|------------------------------------|-----|
| (1) | Bus bar mounting plate | 1 |
| (2) | Bus bar | 1 |
| (3) | 6 x 12 mm flange bolt (8 mm head) | 2 |
| (4) | 6 x 14 mm flat washer | 2 |
| (5) | Phillips screw 5 x 14 mm | 2 |
| (6) | 5 x 10 mm flat washer | 2 |
| (7) | Heat shrink | 1 |
| (8) | Harness, #6 AWG ground cable (21") | 1 |

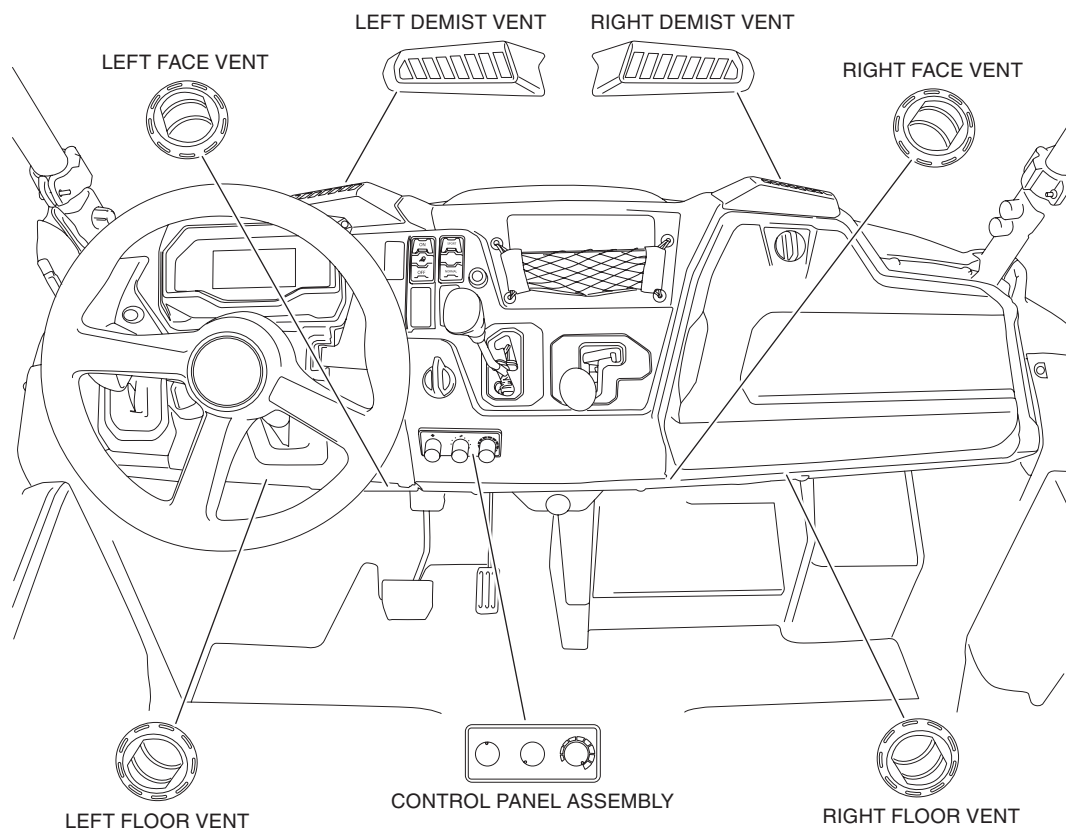
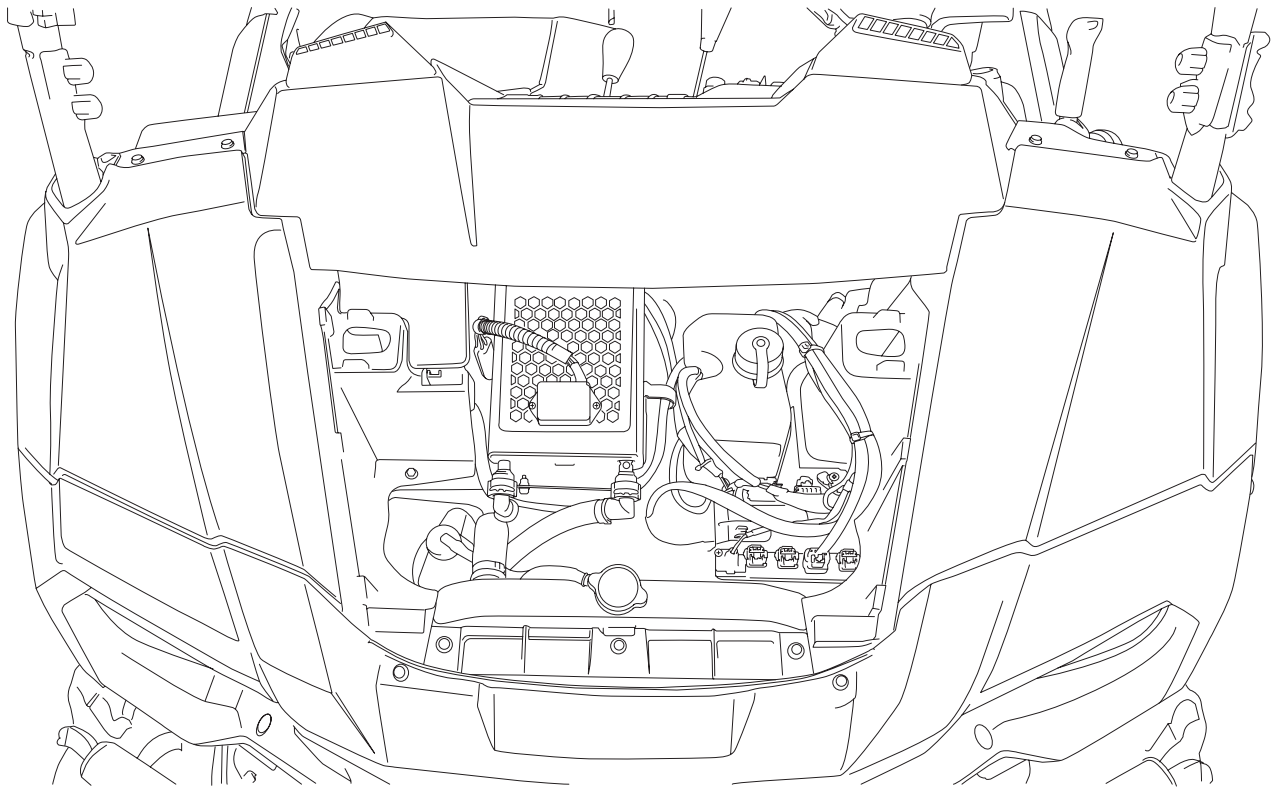
NOTE:

If applying a winch & winch mount kit (0SL72-HL3-A00), winch mount kit should be installed prior to this accessory for ease of installation.

HEATER OVERVIEW

Upon completion of installation, vehicle will resemble the following:

NOTE: Vehicle shown with optional accessories installed.



INSTALLATION

Installation should be performed by an authorized Honda dealer or qualified technician.

FOR YOUR SAFETY

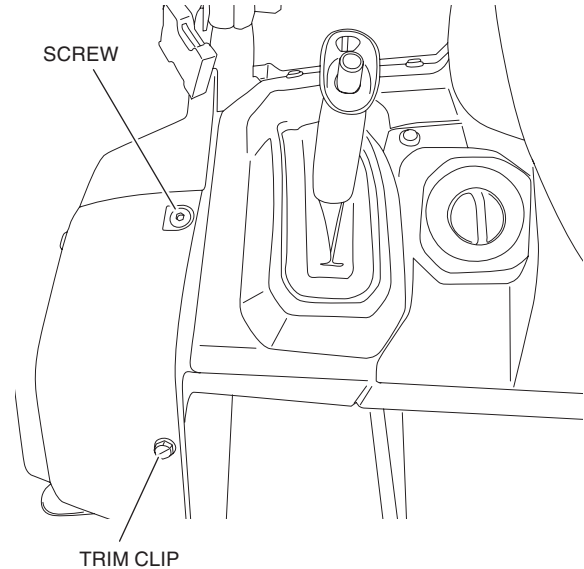
Because this installation instruction is intended for the professional service technician, we do not provide warnings about many basic shop safety practices (e.g., Hot parts – wear gloves). If you have not received shop safety training or do not feel confident about your knowledge of safe servicing practice, we recommend that you do not attempt to perform the procedures described in this installation instruction.

VEHICLE PREPARATION FOR HEATER INSTALLATION

1. Refer to the Service Manual for the vehicle and remove:
 - Front hood
 - Right side front fender
 - Heat shield
 - Front seat
 - Disconnect battery
 - Left seat bottom cover
 - Left middle fender
 - Rear center cover (4-person models only)
 - Right rear footwell (4-person models only)
 - Skid plate
2. Drain engine coolant according to Service Manual.

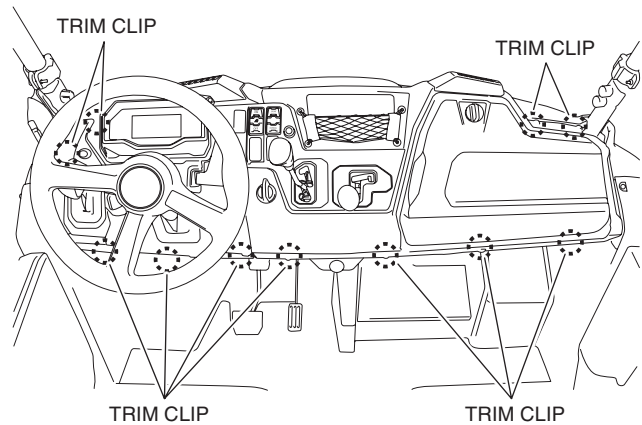
HEATER INSTALLATION

3. Install all required accessories before starting installation.
4. Remove two screws and two trim clips from side covers.
NOTE: Left side shown. Repeat for right side.

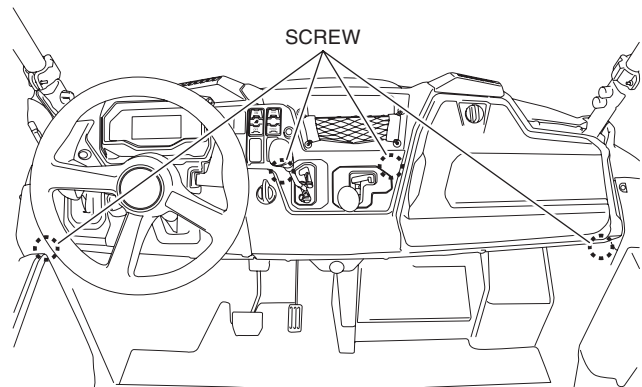


5. Remove eleven trim clips from instrument panel as shown.

NOTE: Remove under dash storage if equipped on vehicle according to Service Manual.

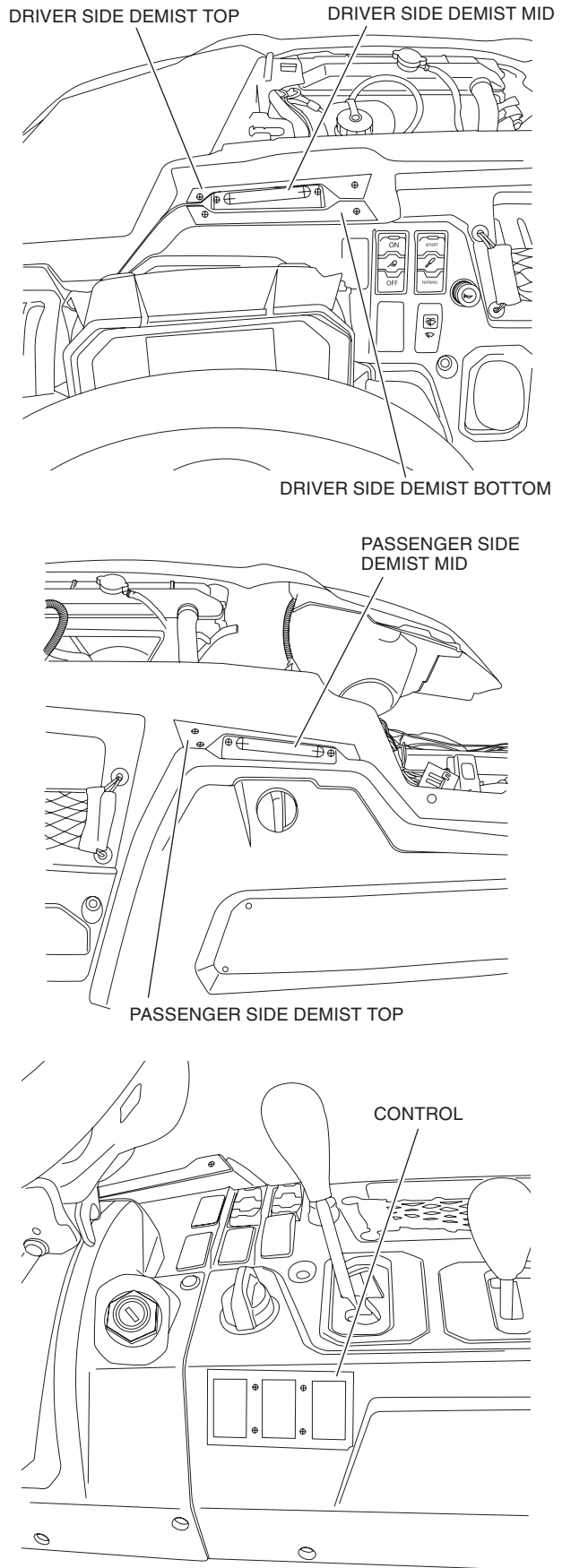
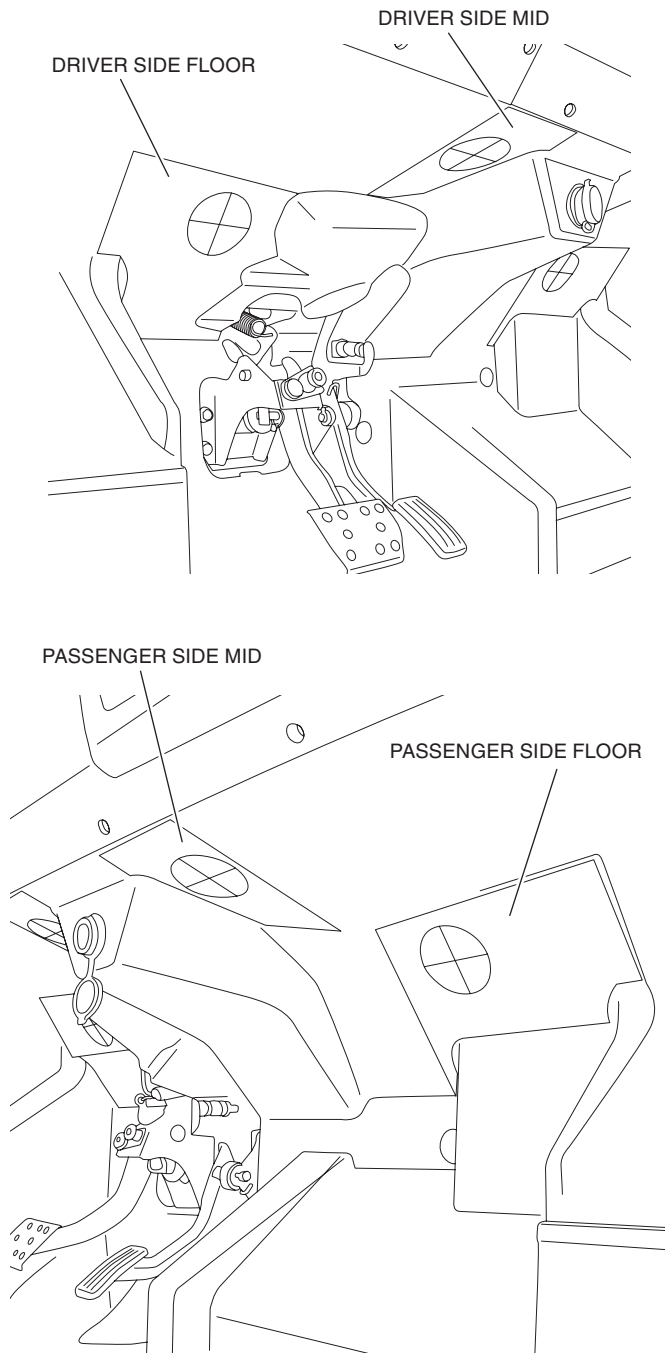


6. Remove four screws from instrument panel as shown.



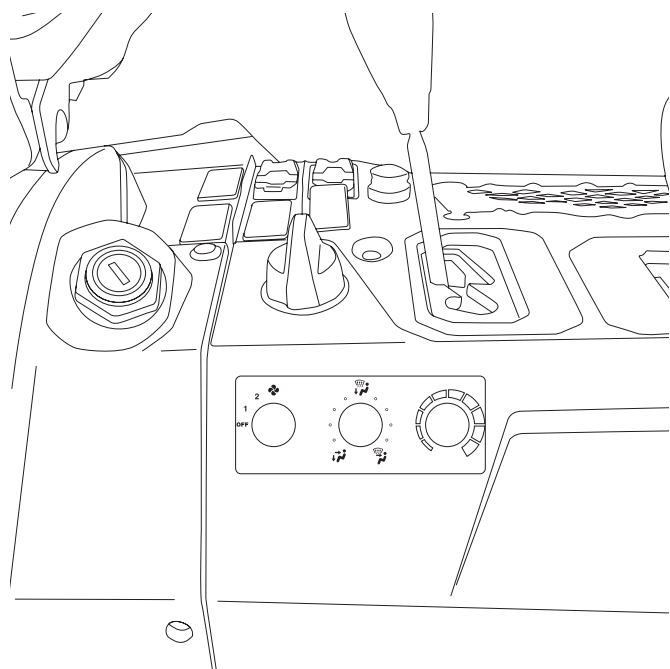
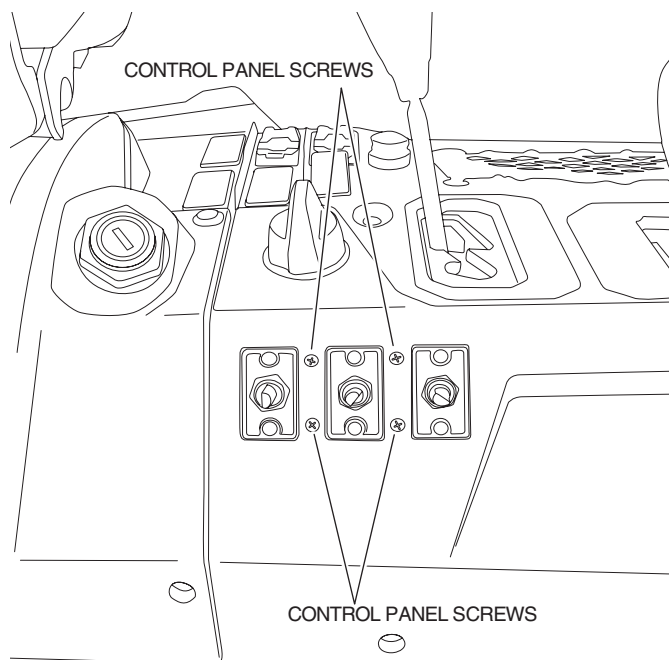
7. Install and cut templates using a drill or rotary tool. Deburr edges as needed.

NOTE: All templates call out drill hole sizes.

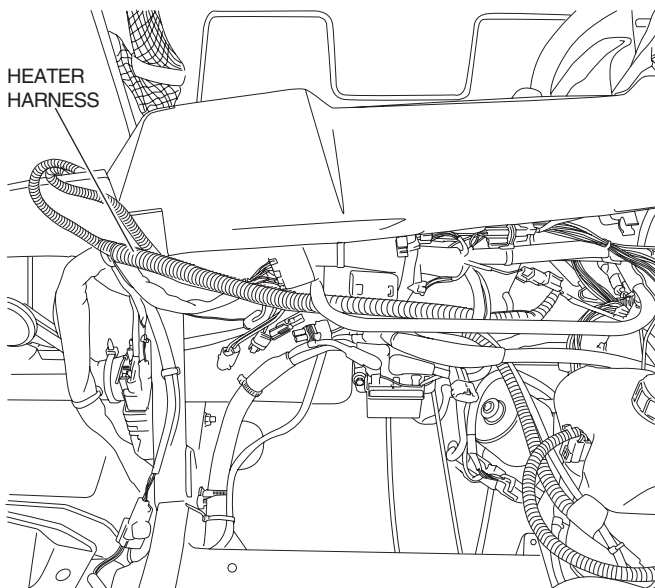
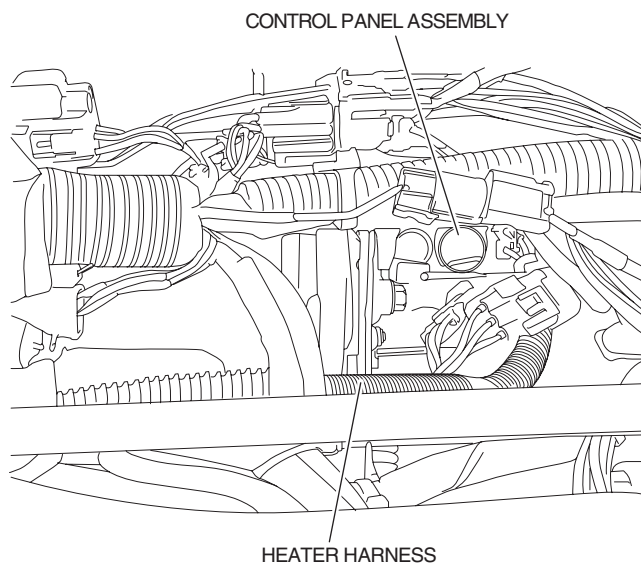


NOTE: Cut out three knockout locations on control template.

8. Install control panel assembly (14) through dash with four control panel screws (15) as shown and snap cover and control knobs into place.



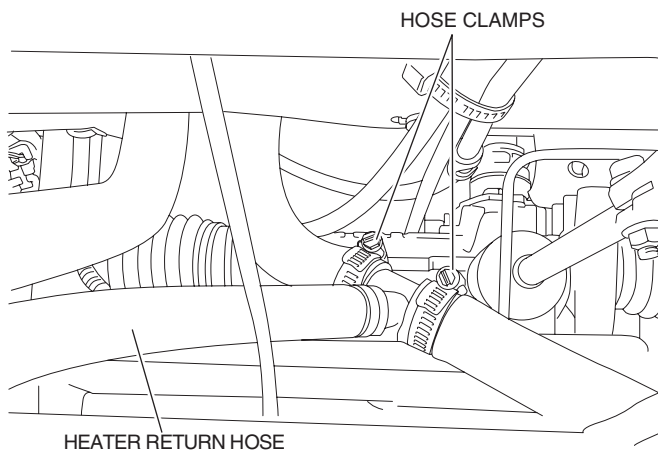
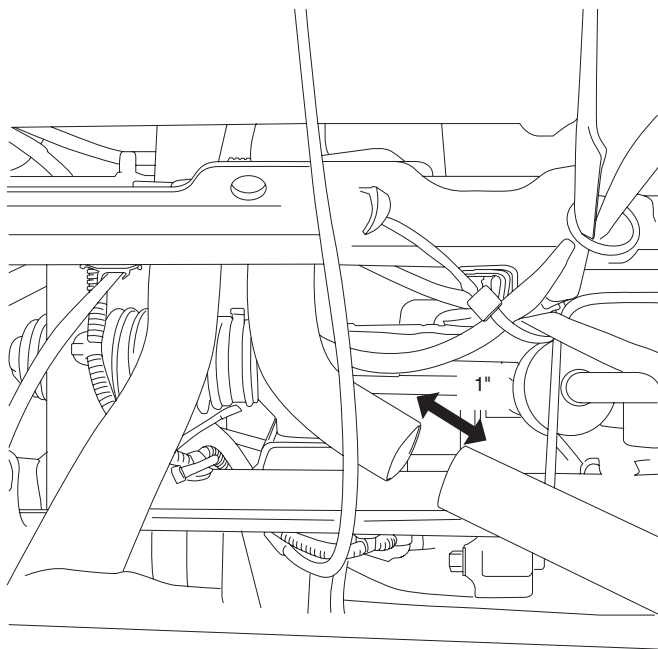
9. Connect heater harness (16) to control panel assembly (14), and temporarily locate to right side of dash as shown.



▶ WATCH VIDEO

Scan QR code or visit: tinyurl.com/29mbg5xv

10. Mark and cut return coolant hose from radiator as shown. Then install heater return hose (12) with hose clamps (H7) as shown. Refer to torque chart and tighten hose clamps.

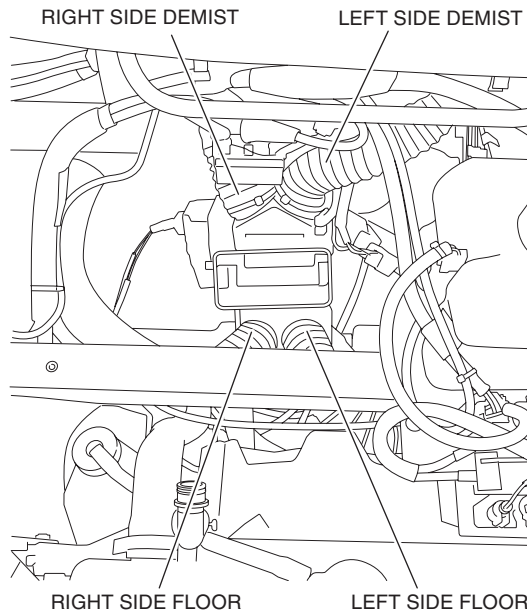
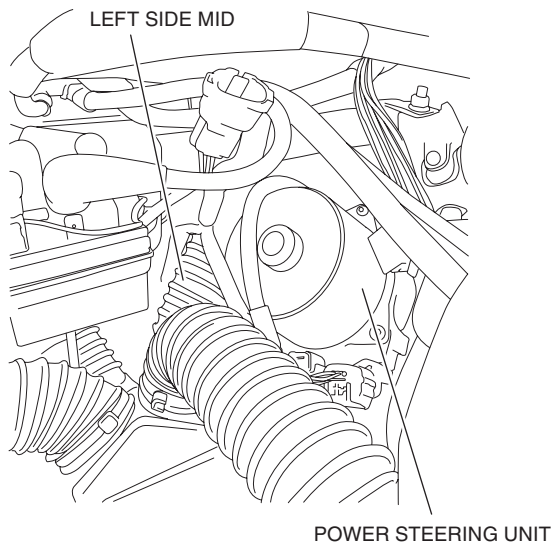
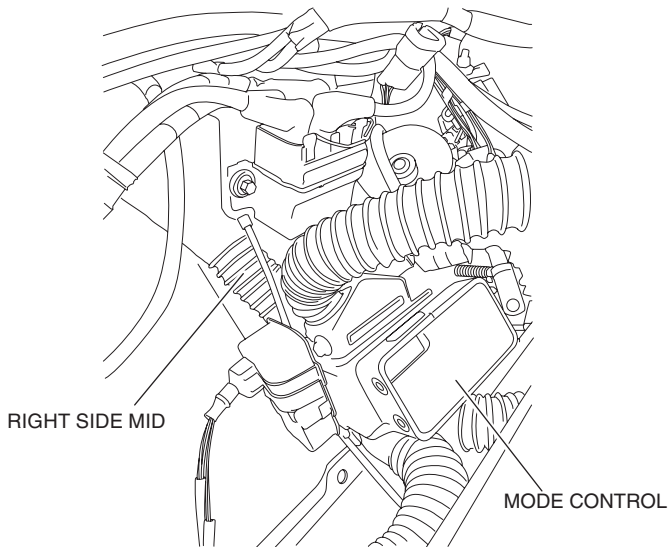


▶ WATCH VIDEO

Scan QR code or visit: tinyurl.com/26nlohkf

11. Place mode control (2) into position and route ducts as shown.

NOTE: Right side mid vent duct routes under cable as shown. Left side mid vent duct routes near power steering unit as shown. Vehicle shown with optional winch accessory.

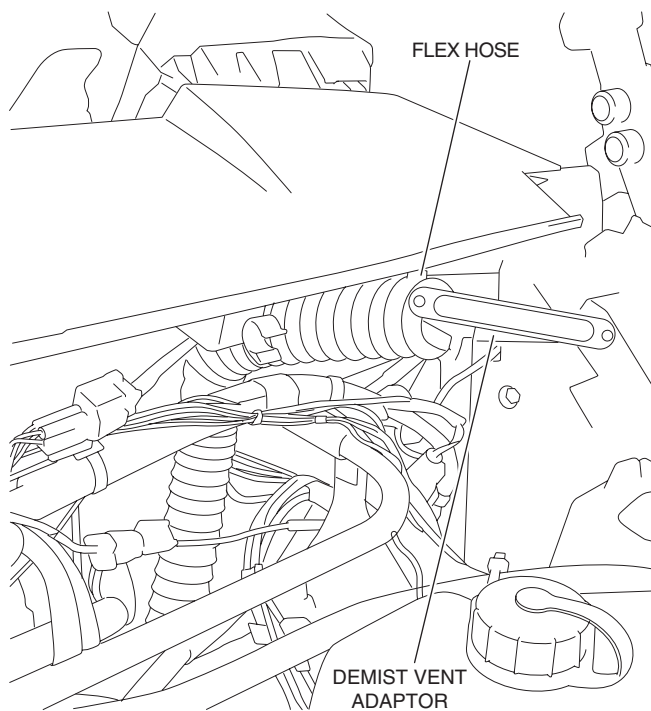


▶ WATCH VIDEO

Scan QR code or visit: tinyurl.com/2yvebxgl

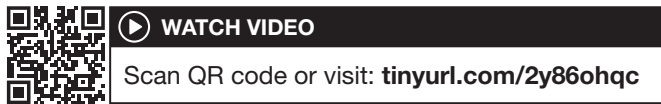
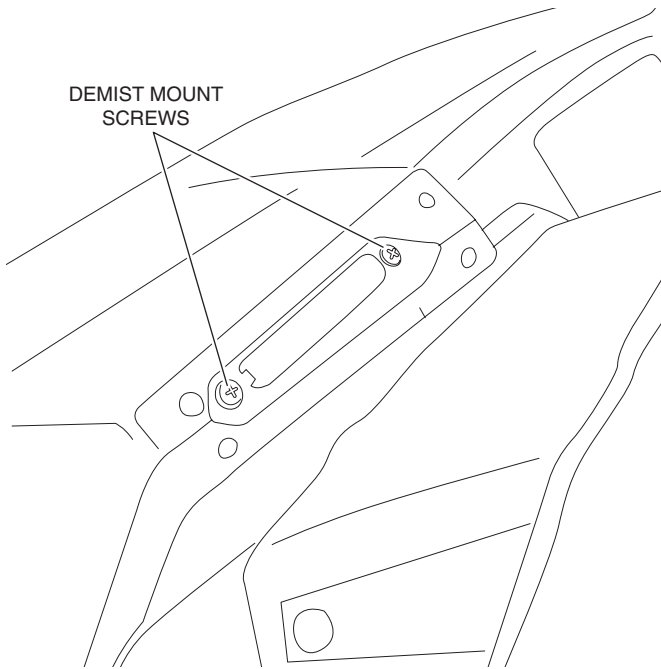
12. Install flex hose onto demist vent adapters (8) using cable ties as shown.

NOTE: Left side shown. Repeat for right side.

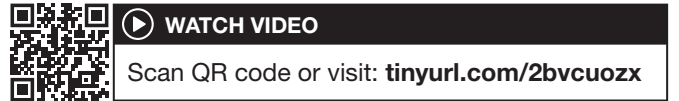
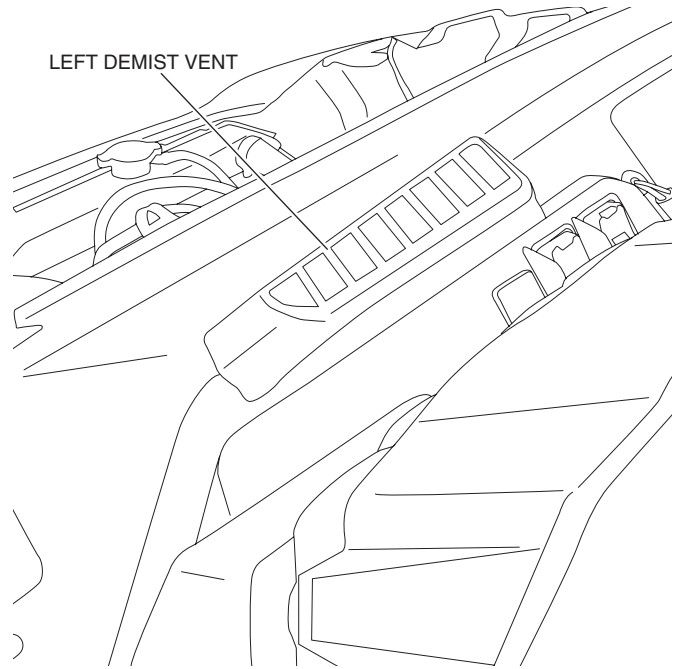
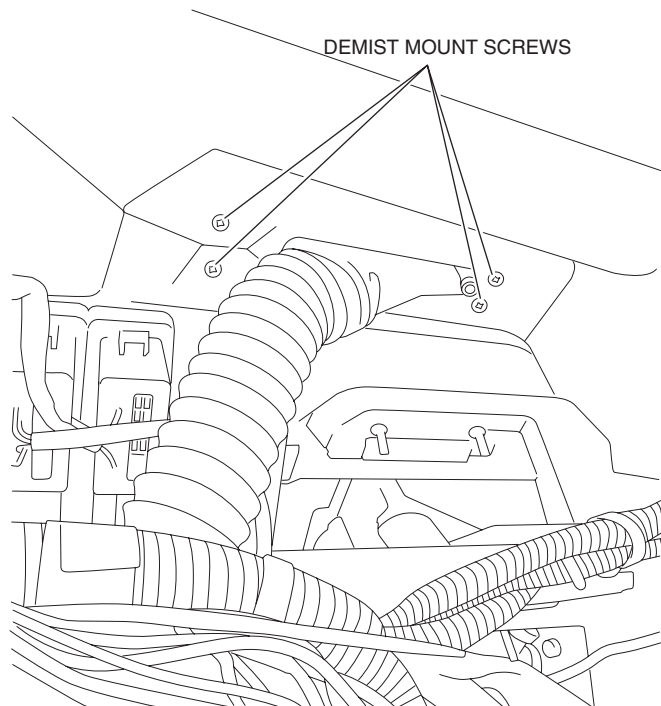


13. Mount demist vent adapter (8) through dash using two demist mount screws (9).

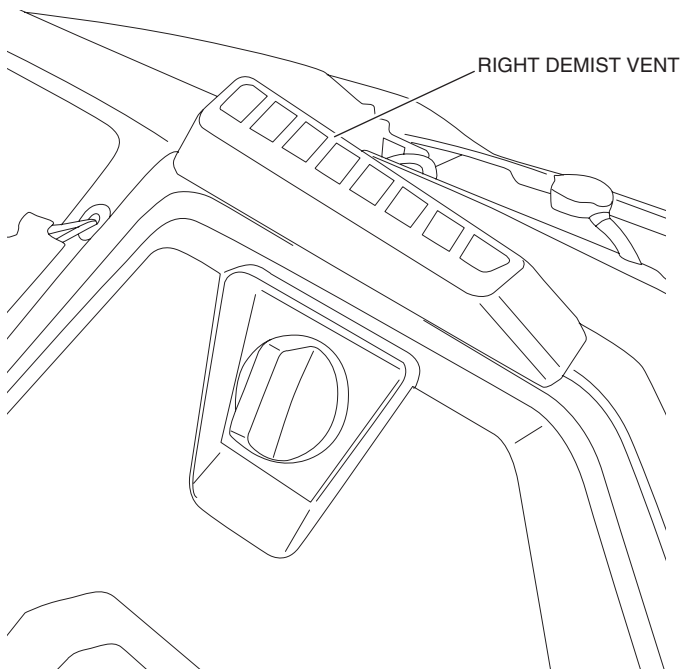
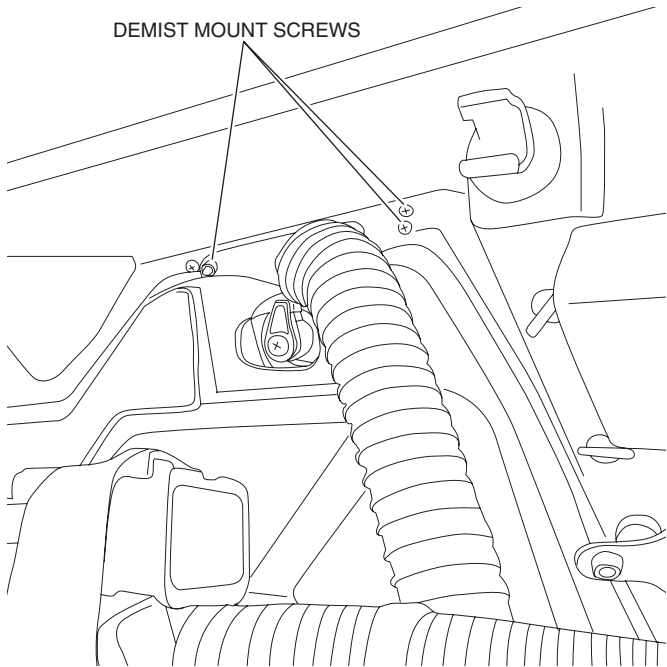
NOTE: Left side shown. Repeat for right side.



14. Install left demist vent (6) using four demist mount screws (9) as shown.

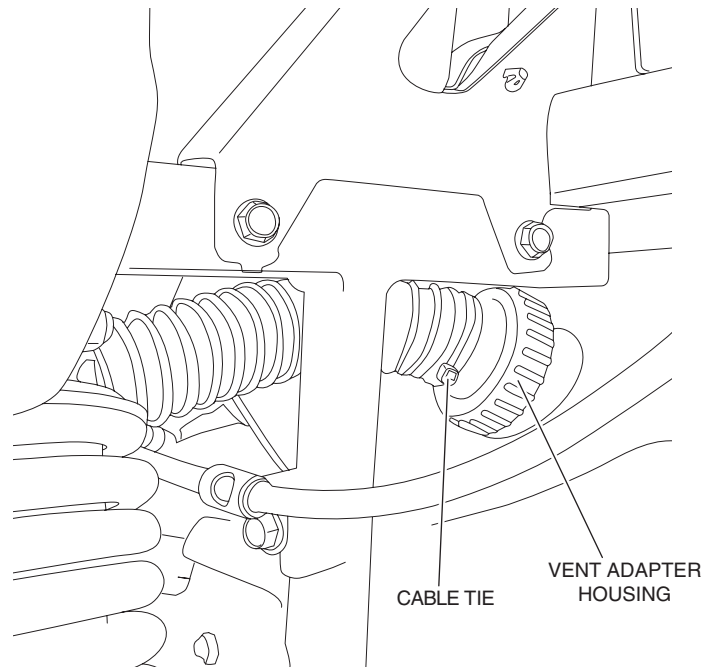


15. Install right demist vent (7) using three demist mount screws (9) as shown.



16. Install vent adapter housings (3) onto flex hoses and secure with cable ties as shown.

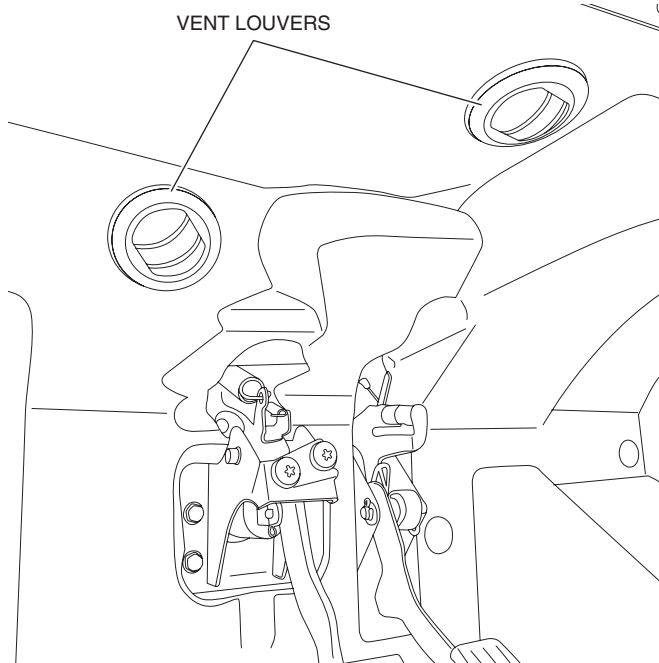
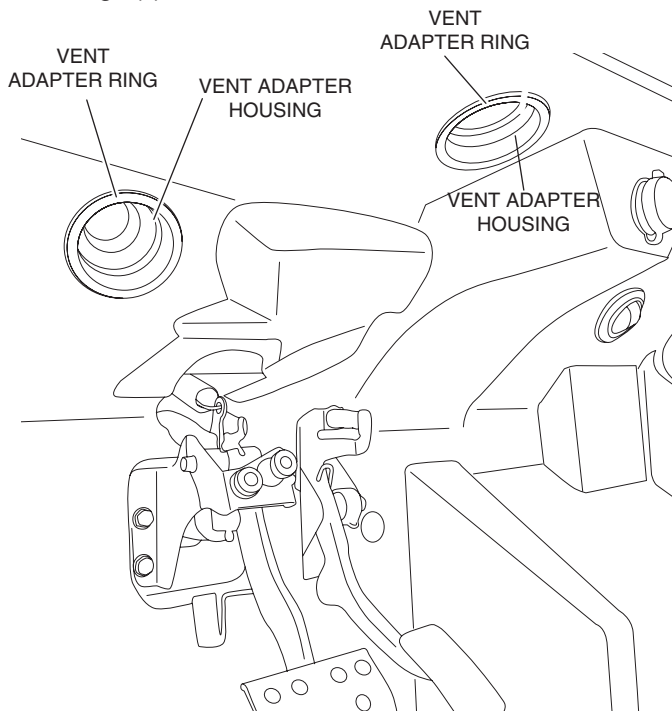
NOTE: Left floor vent shown. Repeat for left mid vent, right mid vent, and right floor vent.



▶ WATCH VIDEO

Scan QR code or visit: tinyurl.com/2313m8hk

17. Install vent adapter housings (3) into dash by threading vent adapter rings (4) together through dash. Then snap vent louvers (5) into vent adapter rings (4) as shown.

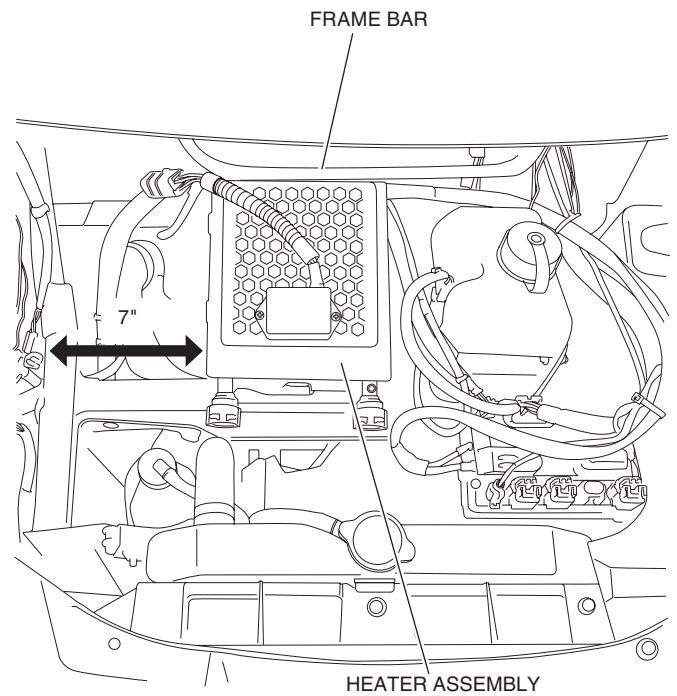


▶ WATCH VIDEO

Scan QR code or visit: tinyurl.com/2bcs7uas

18. Maneuver heater assembly (1) into place 7 inches from edge of frame member as shown.

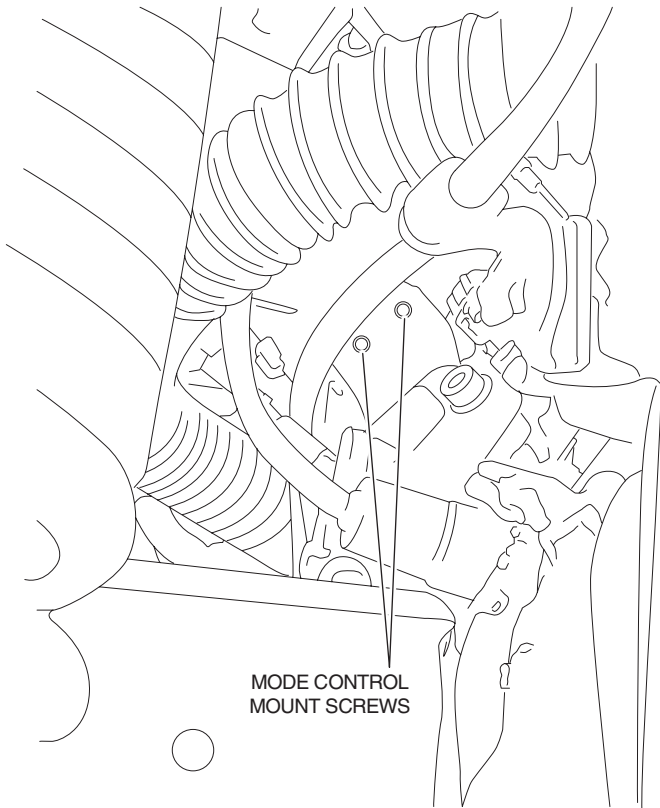
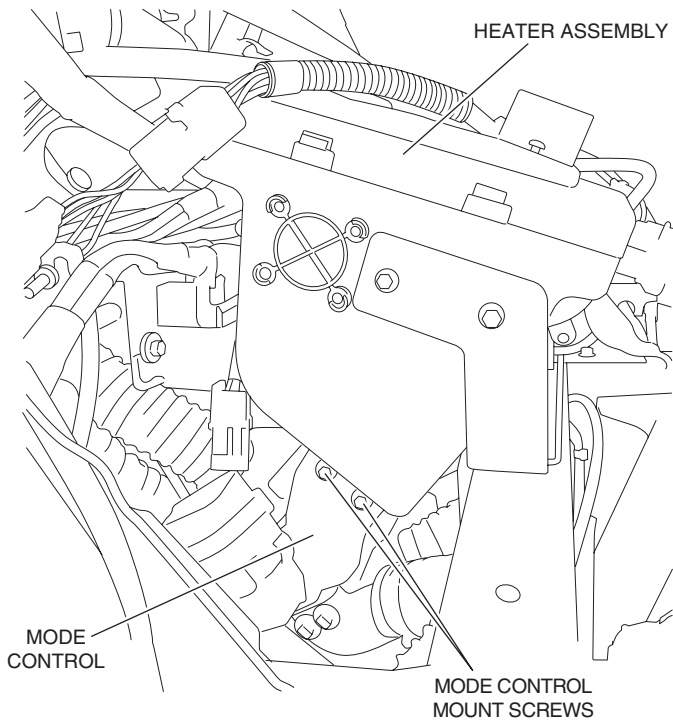
NOTE: Heater assembly fits under frame bar as shown.



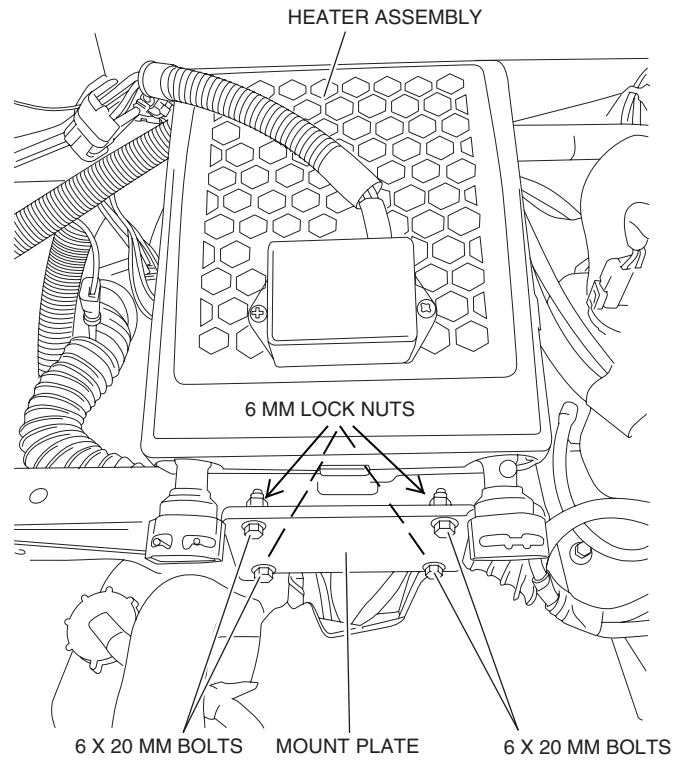
▶ WATCH VIDEO

Scan QR code or visit: tinyurl.com/25hbl53x

19. Align heater assembly (1) to mode control (2) and install using four mode control mount screws (H1) as shown.



20. Install heater assembly (1) to frame using heater mount plate (H4) and four 6 x 20 mm bolts (H2) and four 6 mm lock nuts (H3) as shown.

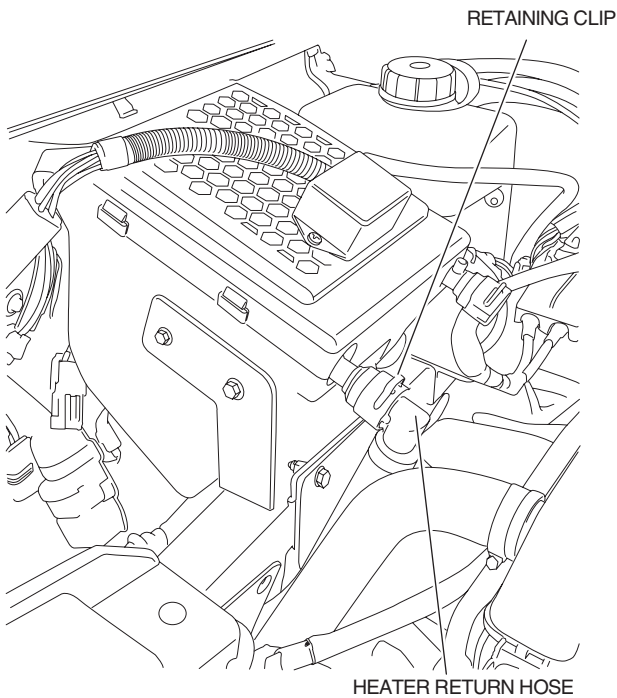


▶ WATCH VIDEO

Scan QR code or visit: tinyurl.com/28rsabes

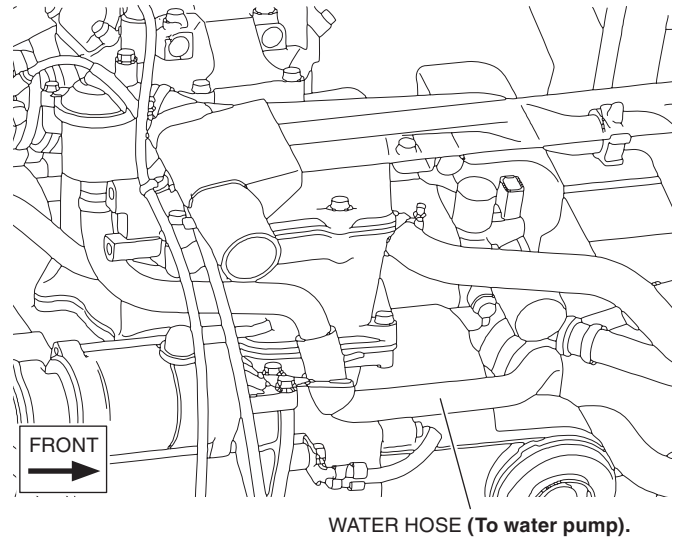
21. Remove plug from heater core and connect heater return hose (12) to port. Secure with retaining clip (13) as shown.

NOTE: Ensure port locks into position.

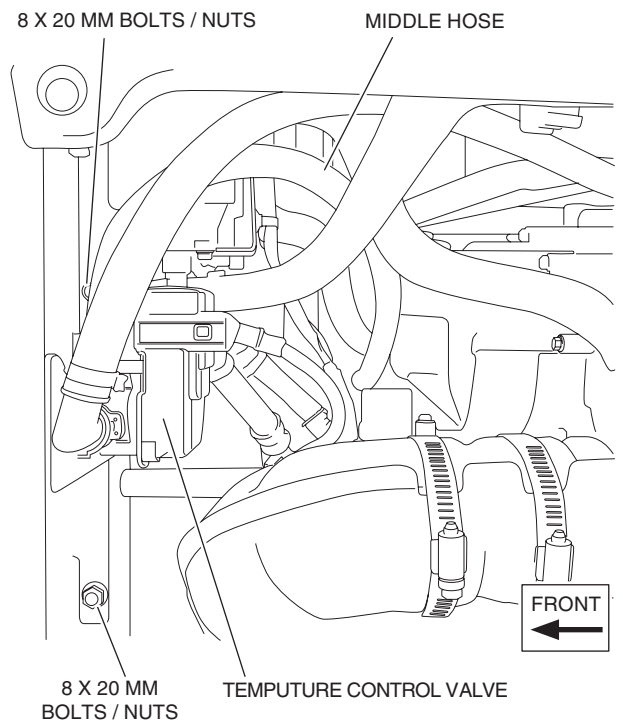


WATCH VIDEO
Scan QR code or visit: tinyurl.com/26yz9hsf

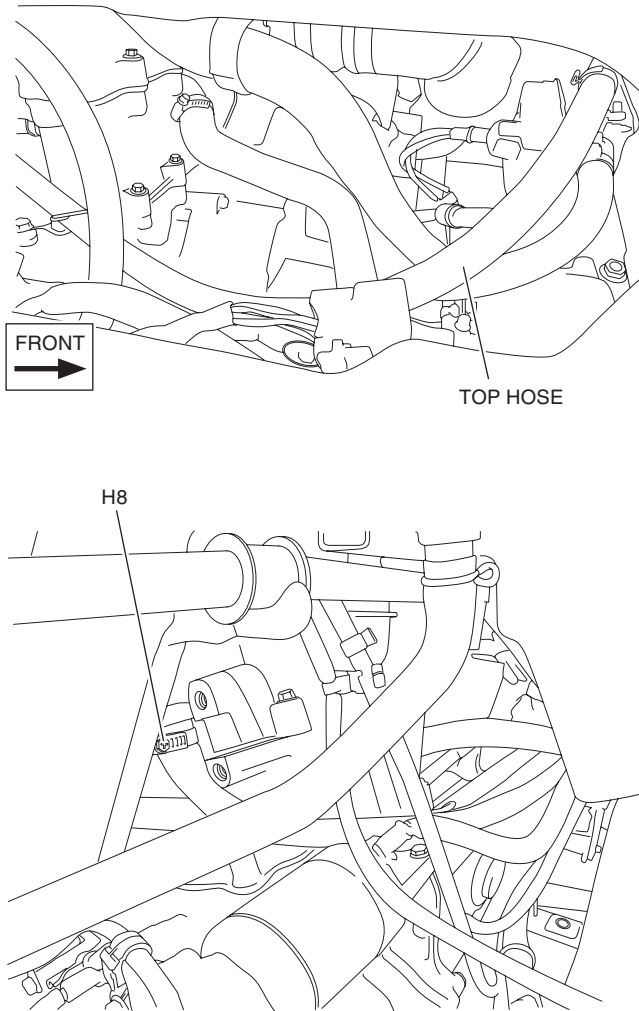
22. Remove existing water hose (thermostat housing to water pump) under seat as shown.



23. Mount temperature control valve (10) to frame under seat using two 8 x 20 mm bolts (H5) and two 8 mm nuts (H6) as shown. Then connect middle hose of temperature control valve to water pump and secure with 7/8-inch hose clamp (H8) (Not Shown). Refer to torque chart and tighten hose clamp.



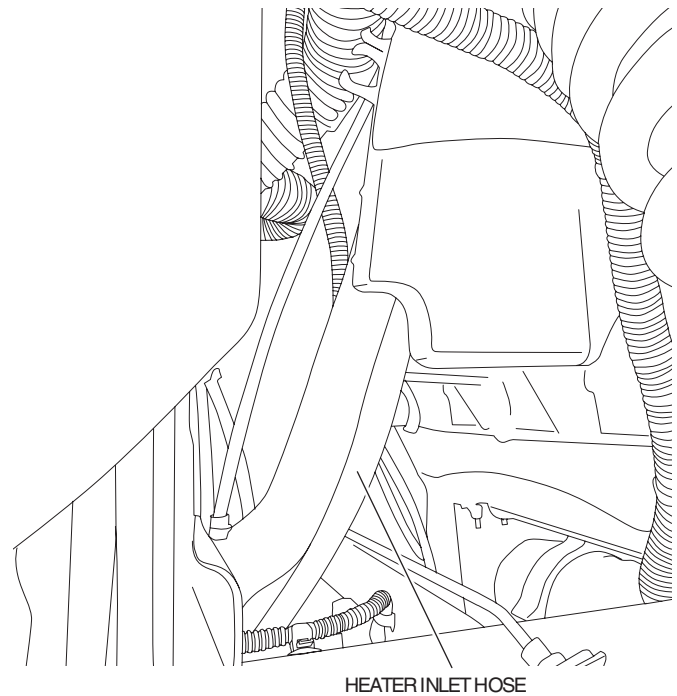
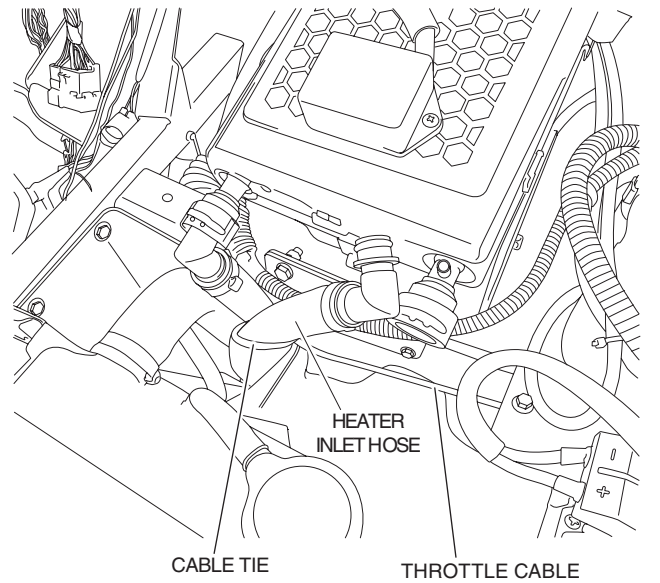
24. Connect top hose of temperature control valve (10) to bottom of thermostat housing with 7/8-inch hose clamp (H8). Refer to torque chart and tighten hose clamp.



25. Route heater inlet hose (11) as shown.

Secure throttle cable to heater inlet hose using cable tie (H10) as shown.

NOTE: Throttle cable must be secured away from sharp edges.

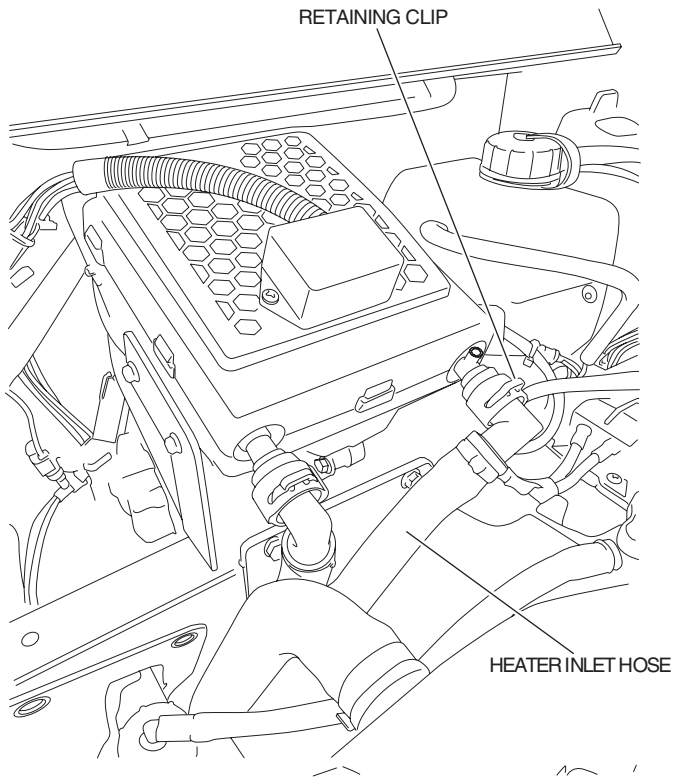


▶ WATCH VIDEO

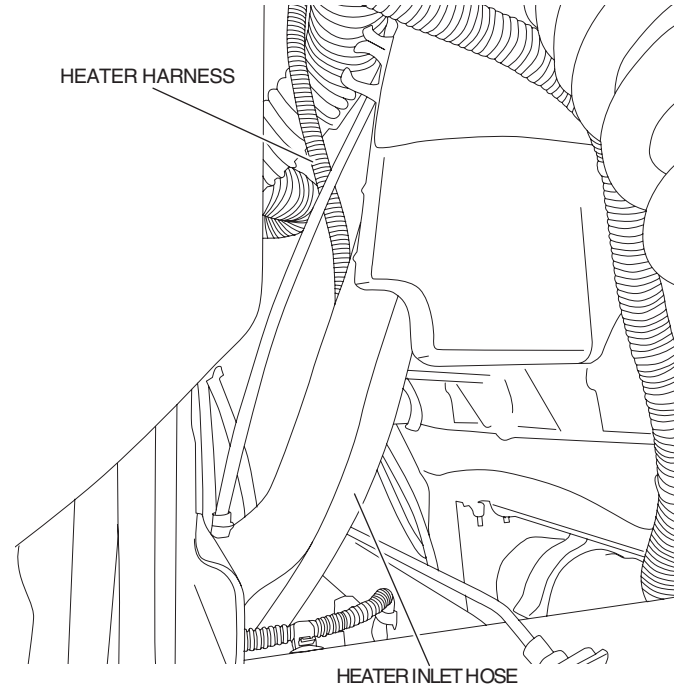
Scan QR code or visit: tinyurl.com/26fx4wfm

26. Remove plug from heater core and connect heater inlet hose (11) to port. Secure with retaining clip (13) as shown.

NOTE: Ensure port locks into position.



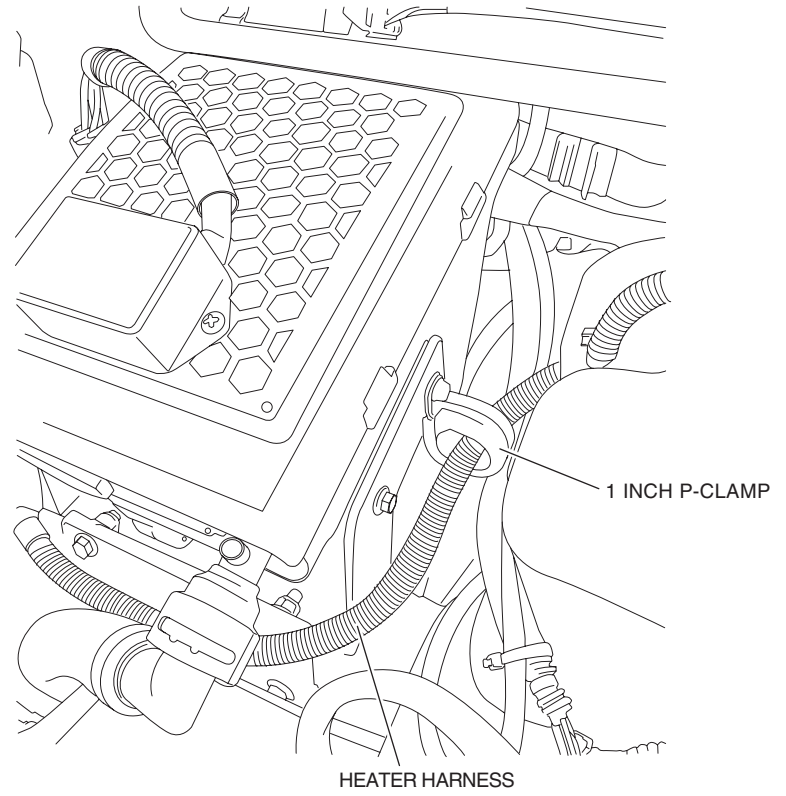
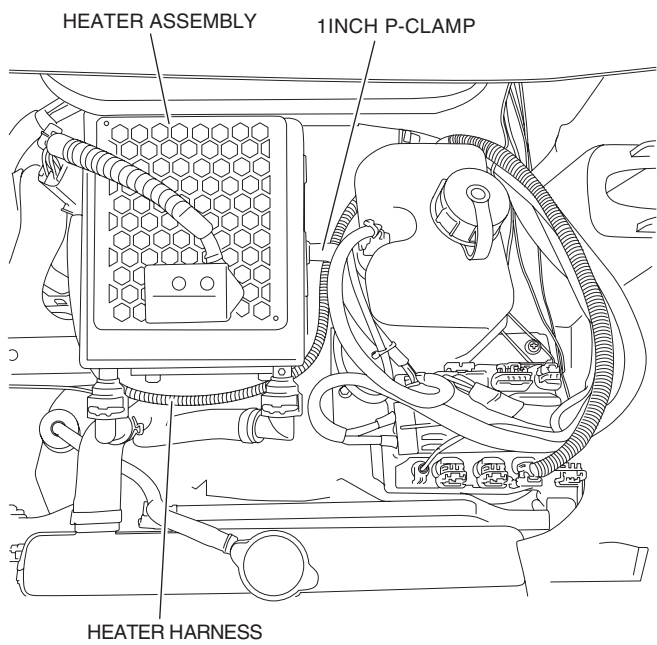
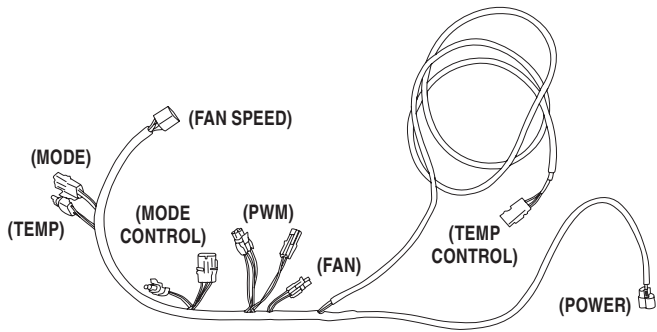
27. Route heater harness (16) along heater inlet hose (11) as shown.



WATCH VIDEO

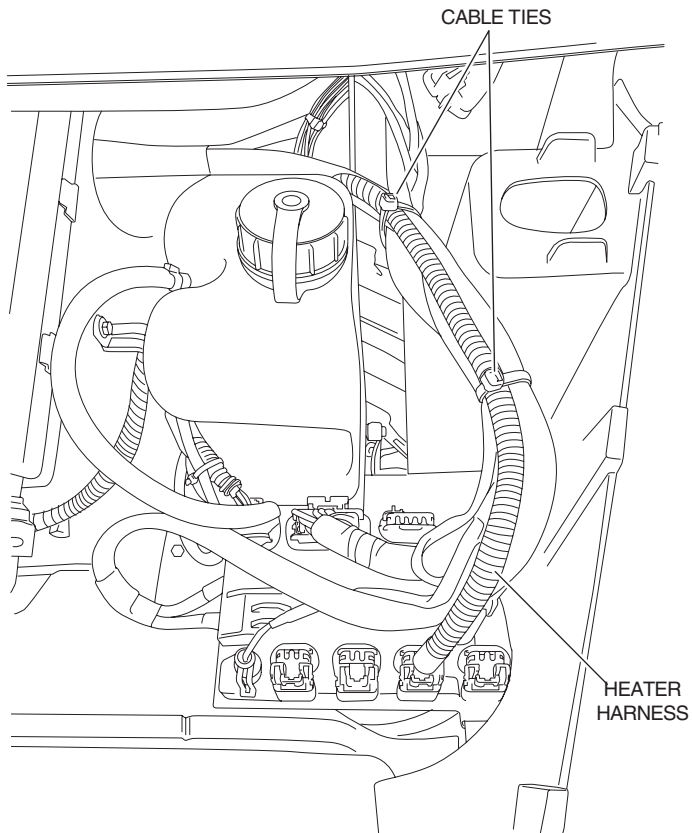
Scan QR code or visit: tinyurl.com/2bfbfg4m

28. Connect heater harness (16) to mode control (2), PWM controller, and fan. Route under ports and secure to heater assembly (1) with 1-inch P-clamp (H9) and existing screw as shown.

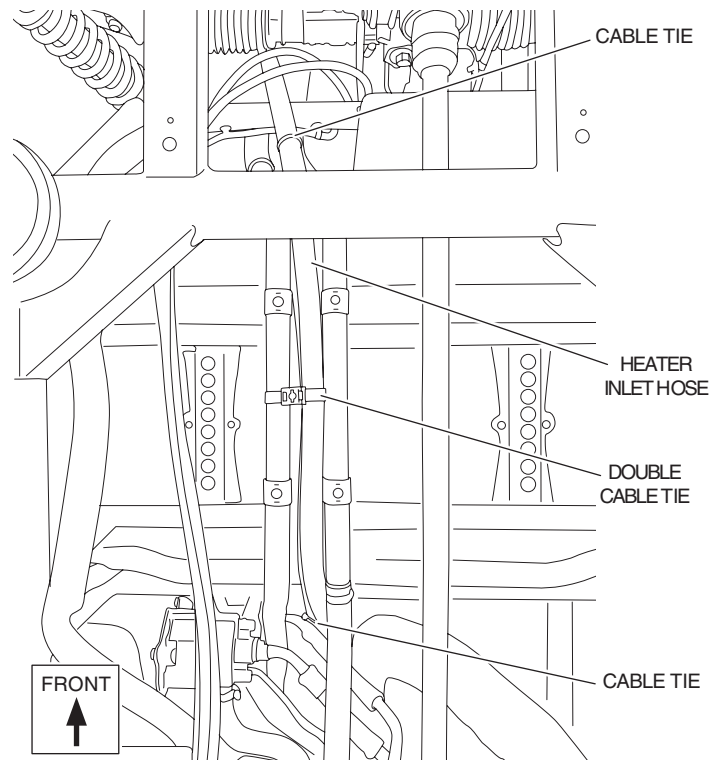
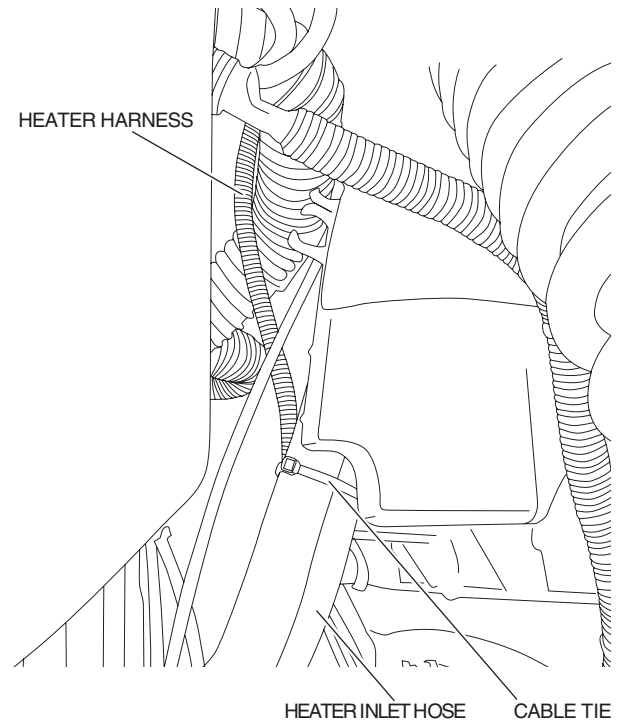


29. Connect heater harness power lead to accessory fuse block assembly and secure with cable ties (H10) as shown.

NOTE: Must be protected by 10 amp fuse.

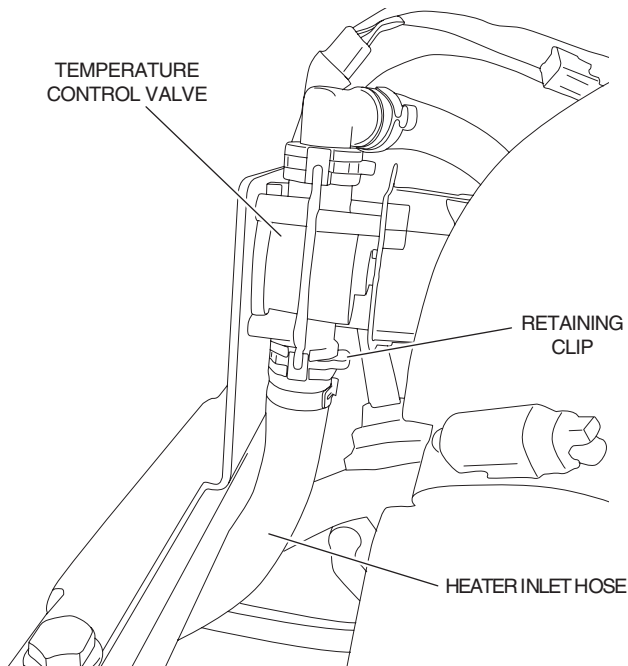


30. Route heater inlet hose (11) and heater harness (16) to back of vehicle and secure with cable ties (H10) and double cable tie (H11) as shown.



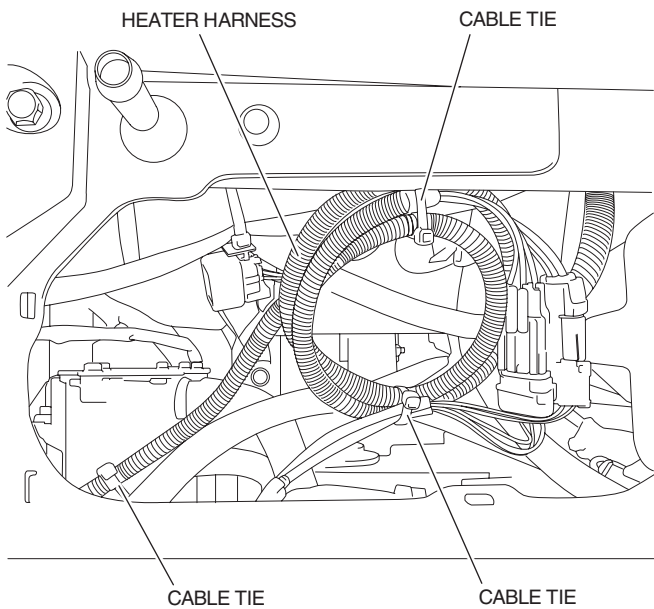
31. Connect port of heater inlet hose (11) to bottom port of temperature control valve (10) and secure with retaining clip (13) as shown.

NOTE: Ensure port locks into position.



32. Connect heater harness (16) to temperature control valve (10). Coil excess heater harness under seat with cable ties (H10) as shown.

NOTE: Route heater harness and temperature control valve harness away from exhaust heat shield.



33. Reassemble vehicle in the following order, in accordance to the Service Manual.

- Skid plate
- Right rear footwell (4-person models only)
- Rear center cover (4-person models only)
- Left middle fender
- Left seat bottom cover
- Front seat
- Right side front fender

34. Fill radiator with Pro Honda HP coolant and bleed engine cooling system according to Service Manual.

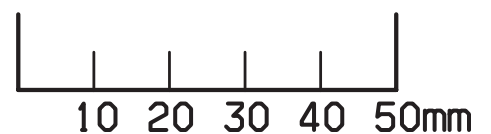
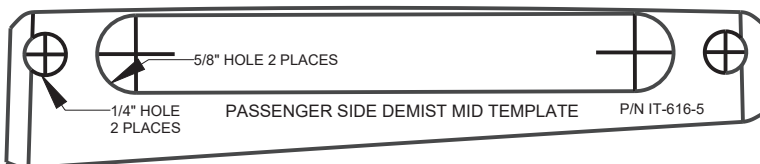
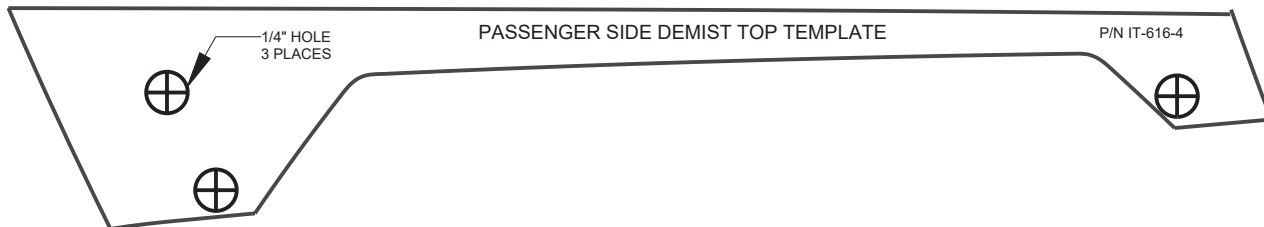
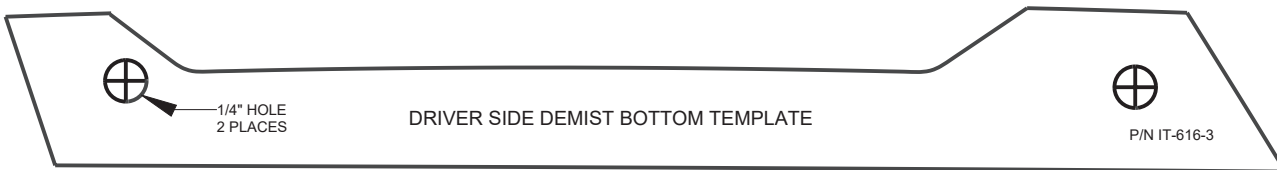
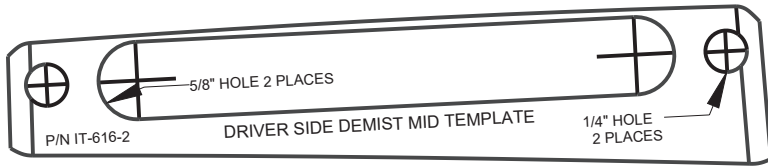
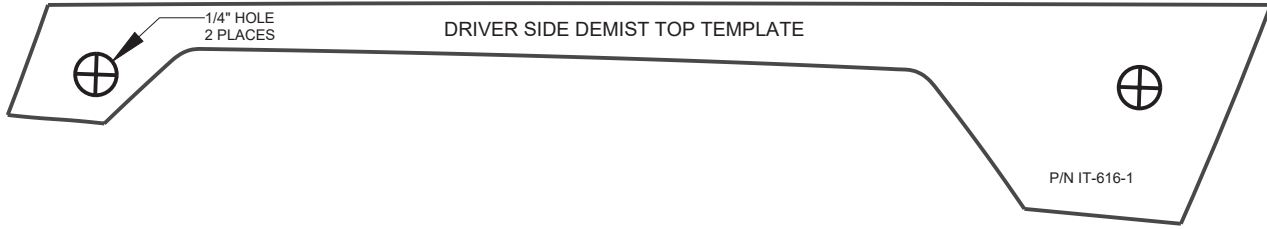
35. Reconnect battery and verify heater functions properly by warming vehicle up to operating temperature, turning temp control to maximum heat, turning fan speed on high, and rotating mode control selection through all configurations. Unit should be blowing warm air. Test drive the vehicle and check the heater performance. Check for leaks and correct as necessary.

36. Top off engine coolant. Make sure the coolant level in the reserve tank is at the MAX level. Coolant will be consumed from the reserve tank as air is expelled from the cooling system during and after test drives. Add coolant to reserve tank as necessary.

37. Reassemble front hood according to Service Manual.

TEMPLATES

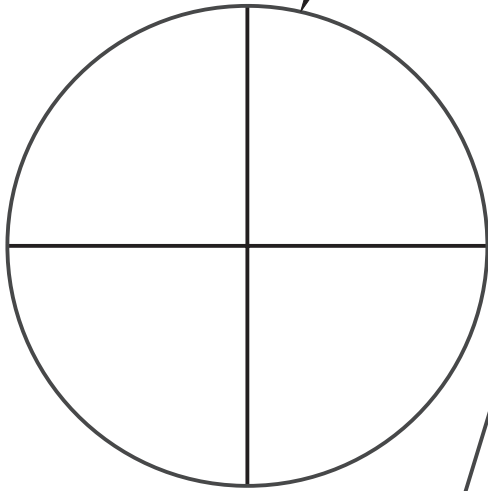
Print templates at 1:1 scale to ensure proper fit during installation.



NOTICE

If you print this template from your local computer, make sure the printer settings do not "scale" or "shrink" the page.

DRIVER SIDE MID TEMPLATE



2.5" HOLE

P/N IT-616-6

10 20 30 40 50mm



10 20 30 40 50mm

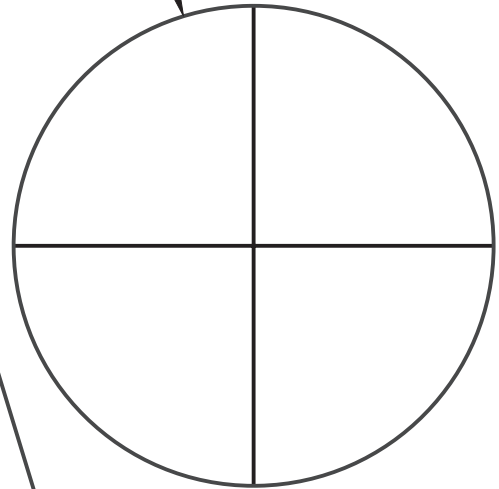


NOTICE

If you print this template from your local computer, make sure the printer settings do not "scale" or "shrink" the page.

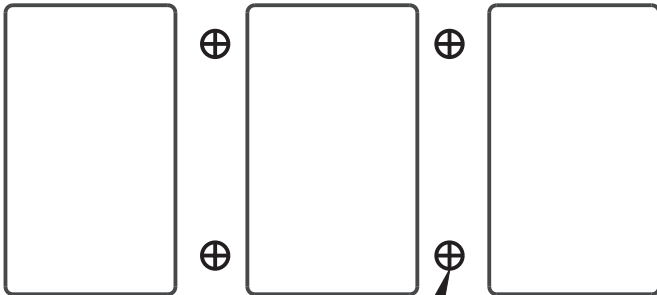
PASSENGER SIDE MID TEMPLATE

2.5" HOLE



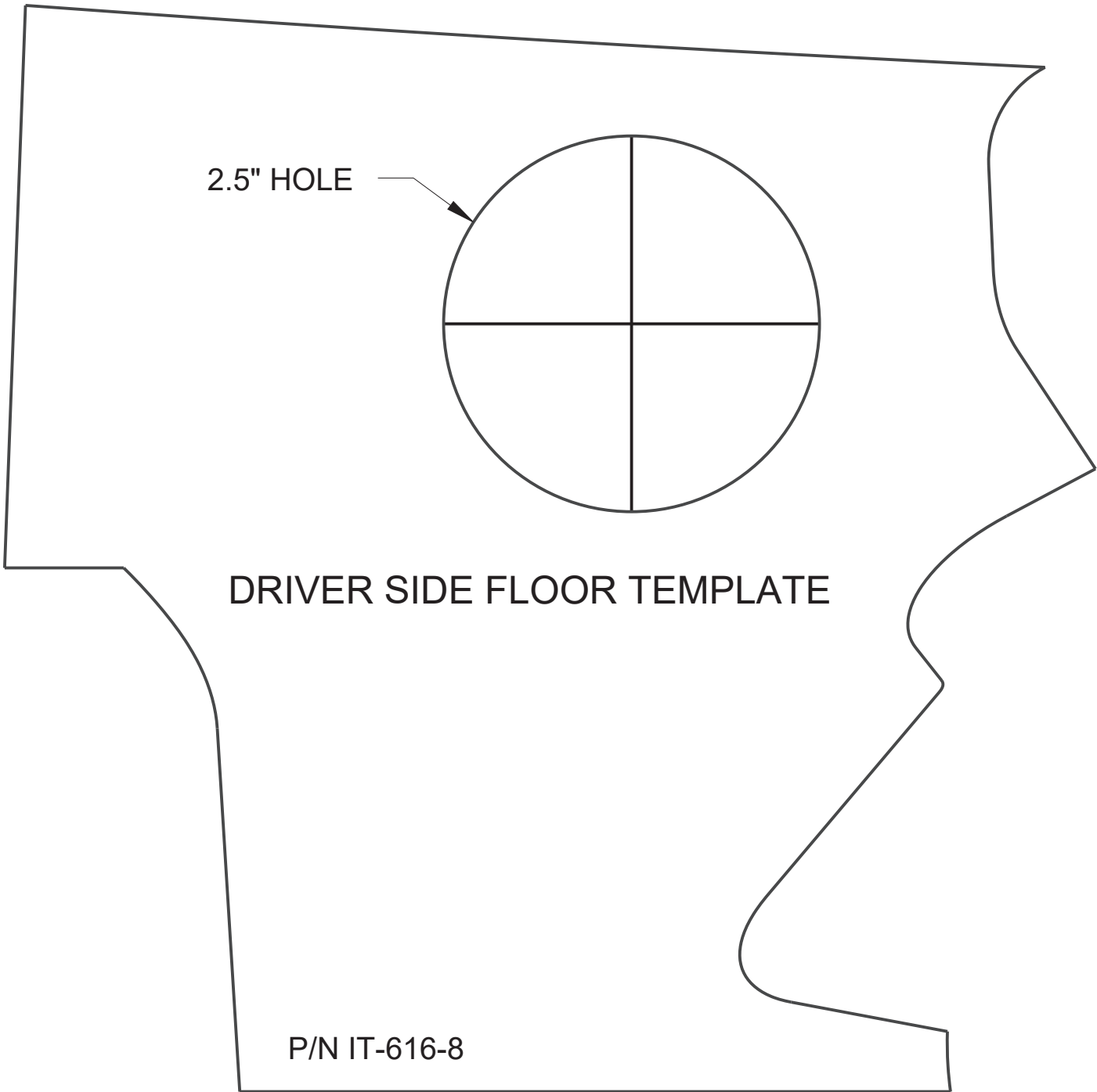
P/N IT-616-7

CONTROL TEMPLATE



P/N IT-613-15

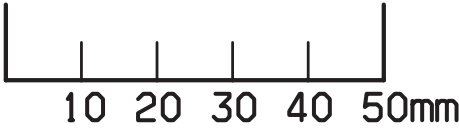
5/32" HOLE 4 PLS



2.5" HOLE

DRIVER SIDE FLOOR TEMPLATE

P/N IT-616-8



| | |
|--|--|
| NOTICE | |
| If you print this template from your local computer, make sure the printer settings do not "scale" or "shrink" the page. | |

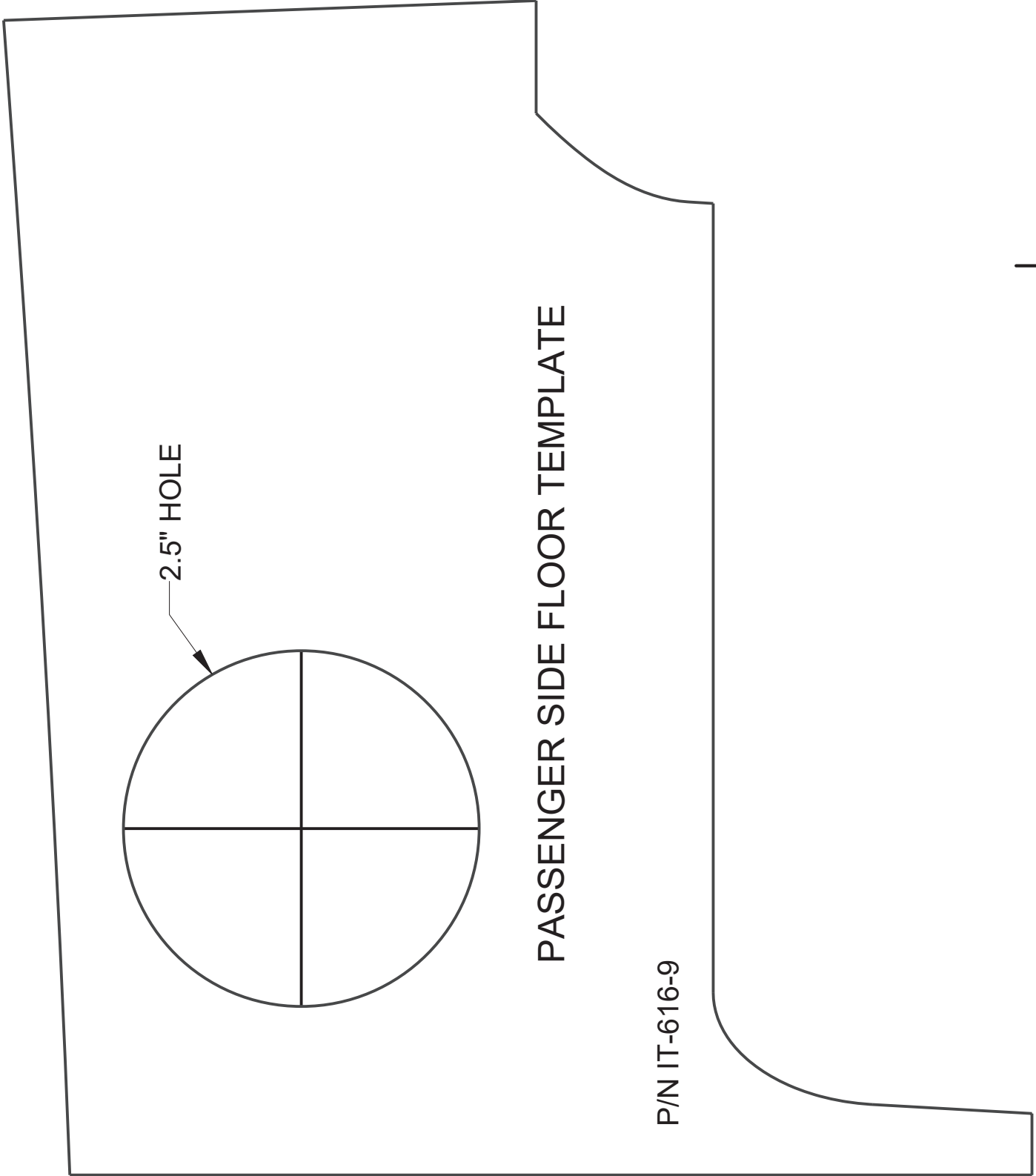
NOTICE

If you print this template from your local computer, make sure the printer settings do not "scale" or "shrink" the page.

10 20 30 40 50mm



10 20 30 40 50mm



PASSENGER SIDE FLOOR TEMPLATE

P/N IT-616-9